

# HAWKE'S BAY'S MOST COMPACT MINI CRANES

## UNIC **URW-295** CRANE (2.9t x 1.4m)

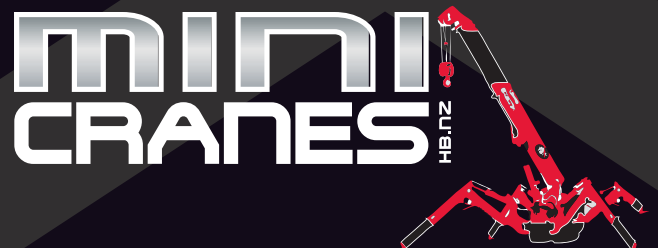


### ENQUIRIES PHONE

Pudd (Craig) 027 203 8708

Shane 027 870 6000

Email [office@minicraneshb.nz](mailto:office@minicraneshb.nz)  
[minicraneshb.nz](http://minicraneshb.nz)



# HAWKE'S BAY'S MOST COMPACT MINI CRANES

## SECOND STAGE EXTENDED 2.53 - 4.075M BOOM LENGTH

Working radius		m	up to 1.0	1.4	1.5	1.8	2.0	2.5	3.0	3.5	3.835
Outrigger	Max-extended	kg	2900	2900	2650	2250	2050	1650	1300	1000	900
	Min-extended	kg	2000	2000	2000	1450	1100	650	490	350	250

## THIRD STAGE EXTENDED 4.075 - 5.61M BOOM LENGTH

Working radius		m	up to 2.2	2.5	2.9	3.0	3.5	4.0	4.5	5.0	5.37
Outrigger	Max-extended	kg	1350	1350	1350	1250	1000	800	650	520	430
	Min-extended	kg	800	650	530	500	380	280	220	160	120

## FOURTH STAGE EXTENDED 5.61 - 7.13M BOOM LENGTH

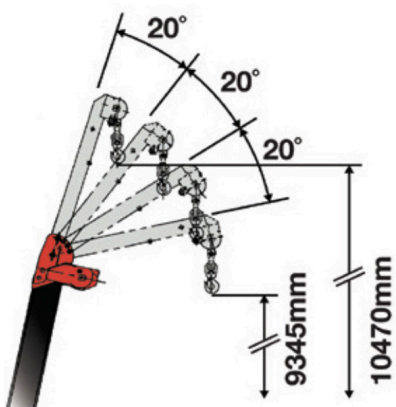
Working radius		m	up to 3.3	3.8	4.0	4.5	5.0	5.5	6.0	6.5	6.89
Outrigger	Max-extended	kg	850	850	750	600	500	420	360	320	270
	Min-extended	kg	420	340	300	250	190	140	100	80	60

## FIFTH STAGE EXTENDED 7.13 - 8.65M BOOM LENGTH

Working radius		m	up to 3.8	4.1	4.5	5.0	5.5	6.0	6.5	7.0	8.0	8.41
Outrigger	Max-extended	kg	550	550	450	370	310	270	230	200	150	130
	Min-extended	kg	350	290	250	200	160	130	100	70	40	30

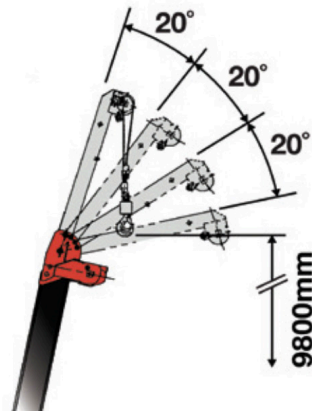
### SEARCHER HOOK

Searcher Hook - Maximum Load:  
500kg - 700kg (radius rated)



### FLY JIB

Fly Jib - Maximum Load:  
400kg - 700kg (angle rated)



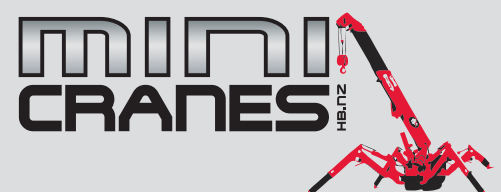
### SEARCHER HOOK SMALL - 300kg

Stowed position

In operation

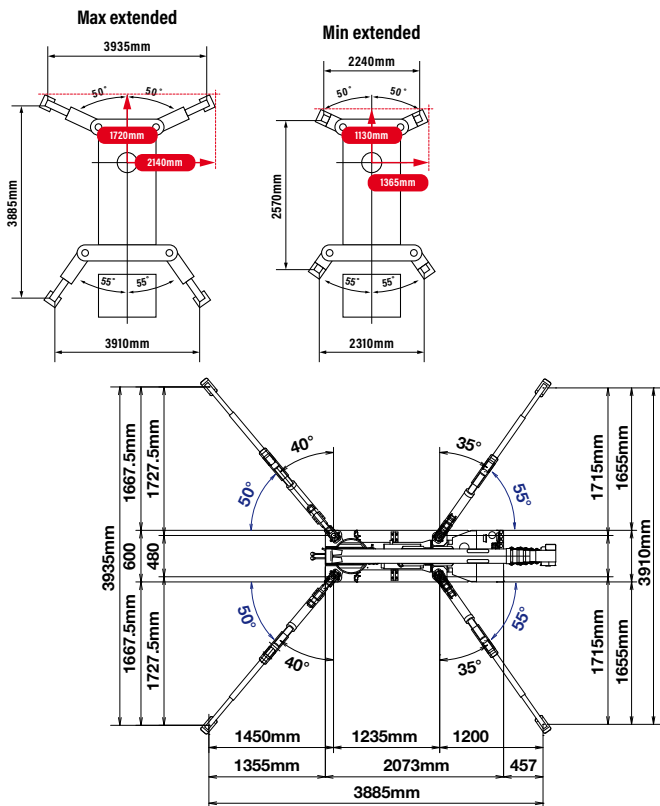
Lifting capacity	300kg (max)
Length	500mm
Weight	15kg
Tilt angles	0°, 20°, 40°, 60°

027 203 8708  
minicraneshb.nz

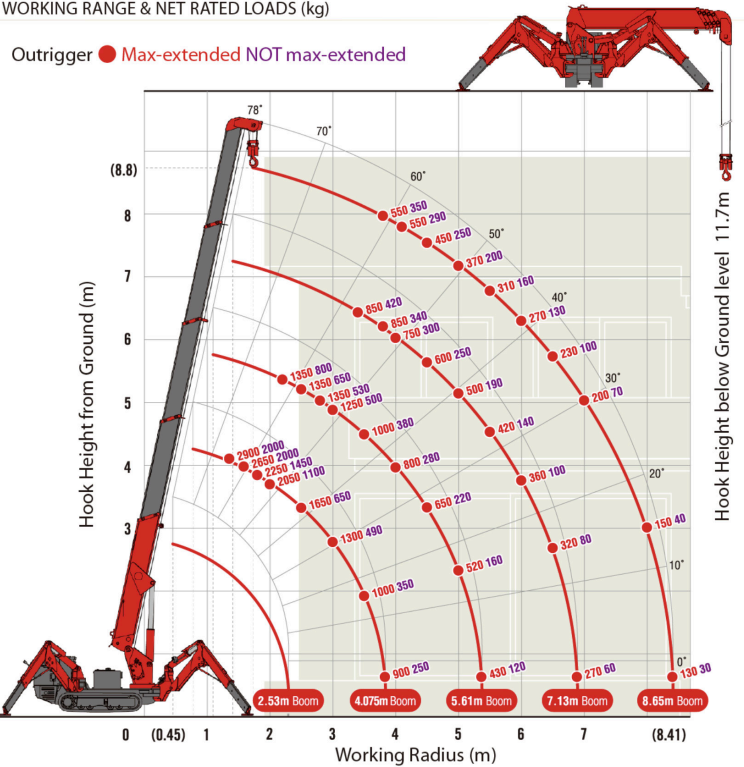


# HAWKE'S BAY'S MOST COMPACT MINI CRANES

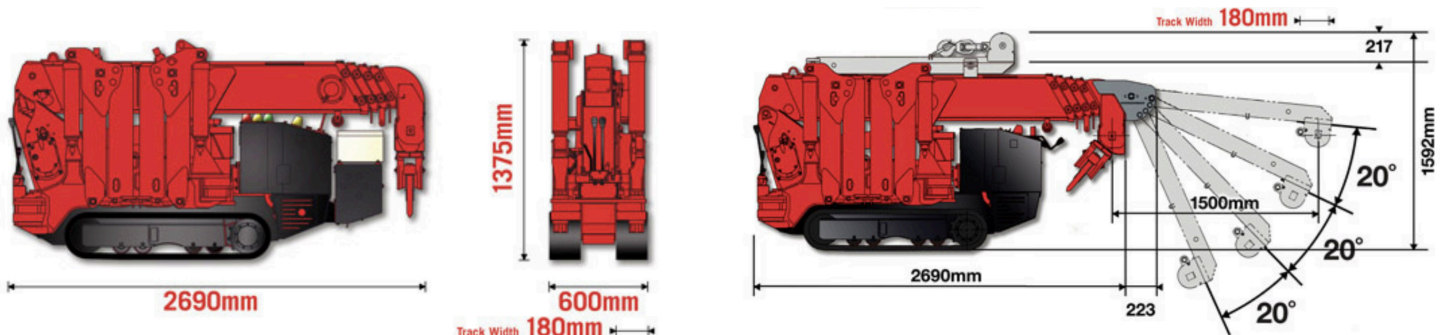
## RATED LOADS and OUTRIGGER POSITIONS



WORKING RANGE & NET RATED LOADS (kg)



## DIMENSIONS



027 203 8708  
minicraneshb.nz



# HAWKE'S BAY'S MOST COMPACT MINI CRANES

## CRANE SPECIFICATIONS

<b>Crane capacity</b>	capacity:	2.9t x 1.4m
<b>Max working radius</b>	max:	8.41m
<b>Max lifting height</b>	approx:	8.8m (9.8m with manual fly jib, 10.47m with fixed hook)
<b>Rope length</b>	max:	14,12 m (4 fall), 29,24 m (2 fall), 59,47 m (1 fall)
<b>Dimensions</b>	folded:	2690mm (2905mm diesel & electrical dual) (l) x 600mm (w) x 1375mm (h)
<b>Weight</b>	unladen:	1850kg (1950kg with electric option, 1920kg with diesel option, 2090kg with diesel and electric dual option)
<b>Point loadings</b>	Due to the many variables involved, point loadings are only available on request	
<b>Hook speed</b>	approx:	10m/min (with 4 layers and 4 falls)
<b>Telescopic system</b>	boom length: telescoping speed: boom type:	2.53 - 8.65m 6.12m/20 seconds 5 section, hydraulically telescoping boom, hexagonal box construction
<b>Derricking angle/speed</b>	approx:	0 - 78° /11 seconds
<b>Slewing angle/speed</b>	approx:	360° (continuous) 1,5 min rpm
<b>Traction system</b>	drive: travel speed: gradeability: track ground length: track ground pressure: track width:	hydrostatic, stepless forward and reverse 0 - 2.3 km/h ± 20° (vertical) 10° (traverse) 1050mm 48kPa (0.49 kg/cm <sup>2</sup> ) 180mm
<b>Engine</b>	manufacturer: drive: maximum output: starting method: tank capacity:	Mitsubishi (Kubota diesel) petrol with LPG and electric options, diesel with electric option 9.6kW (13PS) / 2000min rpm electric and recoil start as standard 6 litres petrol, 9 litres diesel
<b>Electric motor</b>	power: voltage:	3.7kW 400v AC 50/60Hz
<b>Standard equipment</b>	computer controlled moment limiter (safe load indicator), radio remote control, overwinding alarm, computer controlled intelligent voice warning system, multi-function operation by radio remote control, intelligent throttle activation, automatic hook stow, overload warning alarms, overload warning lamps, working area limitation	
<b>Optional equipment</b>	1 fall hook block, 2 fall hook block, LPG dual power, mains electric dual power (400v), diesel engine, low marking tracks, slew limitation, searcher hook small 300kg, searcher hook 700kg, manual fly jib 700kg with single part line, radio remote control with feedback display (with i4500 SLI) and data logging	

027 203 8708  
minicraneshb.nz

